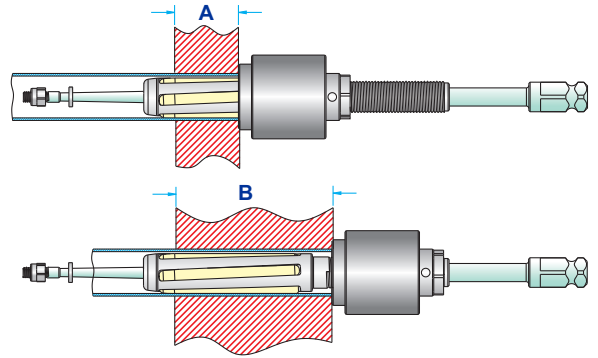


1 3/4" - 3"
O.D.

8012-5 SERIES

(613) 764-0572 sales@tubetools.ca



A first for Powermaster leading the way in Tube Expander development in the release of the 5 Roll 8012 Series

FOR TUBES INTERNAL DIAMETER FROM (36.1 mm) 1.420" TO (73.7 mm) 2.902"

TUBE EXPANDERS FITTED WITH ROLLER LENGTH	FOR TUBE SHEET ADJUSTABLE RANGE	
	MINIMUM A	MAXIMUM B
2.1/4" (57.1mm)	STD. REACH	(12.7mm) 1/2" (101.4mm) 4"
	- 6" REACH	(12.7mm) 1/2" (152.4mm) 6"
	- 8" REACH	(12.7mm) 1/2" (203.2mm) 8"

For Mandrels in 6" and 8" reach - suffix -6" or -8" to the mandrel model number.

- Use : To expand tubes in Air Heaters, Boilers and Refinery still tubes. Can be used to expand thick tube sheets (upto 8").
- For Larger Size '8012-5' series expanders, please contact us.

Tube O.D. (mm) inch	Tube Thickness			Tube I.D.		Minimum I.D. Tool Enters		Maximum Expansion of Tool		EXPANDER with (57.15 mm) 2.1/4" Long Rollers		
	bwg	mm	inch	mm	inch	mm	inch	mm	inch	Complete Tool No.	Mandrel No.	Rollers Set. No.
(44.45)	8	4.19	0.165	36.1	1.420	34.7	1.368	39.3	1.55	8012-1.3/4-8 - 5	M-91-5	28-A-5
	10	3.40	0.134	37.6	1.482	36	1.42	40.8	1.607	8012-1.3/4-10 - 5	M-91-5	29-A-5
	11	3.04	0.120	38.3	1.510	36.9	1.454	41.5	1.635	8012-1.3/4-11 - 5	M-91-5	30-A-5
	12	2.76	0.109	38.9	1.532	37.6	1.482	42	1.657	8012-1.3/4-12 - 5	M-91-5	31-A-5
	13	2.41	0.095	39.6	1.560	38.3	1.51	42.7	1.685	8012-1.3/4-13 - 5	M-91-5	32-A-5
	14	2.10	0.830	40.2	1.584	38.9	1.532	43.4	1.709	8012-1.3/4-14 - 5	M-91-5	33-A-5
(50.80)	7	4.57	0.180	41.6	1.640	39.7	1.57	45	1.77	8012-2-7 - 5	M-93-5	34-A-5
	8	4.19	0.165	42.4	1.670	40.5	1.595	45.6	1.795	8012-2-8 - 5	M-93-5	35-A-5
	10	3.40	0.134	43.9	1.732	41.6	1.64	47.1	1.857	8012-2-10 - 5	M-93-5	36-A-5
	11	3.04	0.120	44.7	1.760	42.4	1.67	47.8	1.885	8012-2-11 - 5	M-93-5	37-A-5
	12	2.76	0.109	45.2	1.782	43.2	1.704	48.4	1.907	8012-2-12 - 5	M-93-5	38-A-5
	13	2.41	0.095	45.9	1.810	43.9	1.732	49.6	1.956	8012-2-13-18 - 5	M-93-5	39-A-5
	14	2.10	0.083	46.5	1.830	43.9	1.732	49.6	1.956	8012-2-13-18 - 5	M-93-5	39-A-5
	15	1.83	0.072	47.1	1.850	43.9	1.732	49.6	1.956	8012-2-13-18 - 5	M-93-5	39-A-5
	16	1.65	0.065	47.4	1.870	43.9	1.732	49.6	1.956	8012-2-13-18 - 5	M-93-5	39-A-5
	17	1.47	0.058	47.9	1.880	43.9	1.732	49.6	1.956	8012-2-13-18 - 5	M-93-5	39-A-5
18	1.24	0.049	48.3	1.900	43.9	1.732	49.6	1.956	8012-2-13-18 - 5	M-93-5	39-A-5	
(63.50)	7-8	4.5	0.177	54.5	2.146	52	2.05	59.3	2.335	8012-2.1/2-7-8 - 5	M-94-5	44-A-5
	9	3.75	0.148	56.0	2.204	53.5	2.106	60.4	2.38	8012-2.1/2-9 - 5	M-94-5	45-A-5
	10	3.40	0.134	56.6	2.232	54.3	2.14	61.1	2.407	8012-2.1/2-10-12 - 5	M-94-5	46-A-5
	11	3.04	0.12	57.4	2.26	54.3	2.14	61.1	2.407	8012-2.1/2-10-12 - 5	M-94-5	46-A-5
	12	2.76	0.109	57.9	2.282	54.3	2.14	61.1	2.407	8012-2.1/2-10-12 - 5	M-94-5	46-A-5
	13	2.41	0.095	58.6	2.310	56.6	2.232	62.2	2.45	8012-2.1/2-13-18 - 5	M-94-5	47-A-5
	14	2.10	0.083	59.2	2.334	56.6	2.232	62.2	2.45	8012-2.1/2-13-18 - 5	M-94-5	47-A-5
	15	1.83	0.072	59.8	2.356	56.6	2.232	62.2	2.45	8012-2.1/2-13-18 - 5	M-94-5	47-A-5
	16	1.65	0.065	60.1	2.370	56.6	2.232	62.2	2.45	8012-2.1/2-13-18 - 5	M-94-5	47-A-5
	17	1.47	0.058	60.6	2.384	56.6	2.232	62.2	2.45	8012-2.1/2-13-18 - 5	M-94-5	47-A-5
18	1.24	0.049	61.0	2.402	56.6	2.232	62.2	2.45	8012-2.1/2-13-18 - 5	M-94-5	47-A-5	
(76.20)	8	4.19	0.165	67.8	2.670	65.0	2.56	71.8	2.829	8012-3-8-9 - 5	M-97-5	49-A-5
	9	3.75	0.148	68.6	2.704	65.0	2.56	71.8	2.829	8012-3-8-9 - 5	M-97-5	49-A-5
	10	3.4	0.134	69.3	2.732	67.0	2.64	74.9	2.952	8012-3-10-18 - 5	M-97-5	50-A-5
	11	3.04	0.12	70.1	2.760	67.0	2.64	74.9	2.952	8012-3-10-18 - 5	M-97-5	50-A-5
	12	2.76	0.109	70.6	2.782	67.0	2.64	74.9	2.952	8012-3-10-18 - 5	M-97-5	50-A-5
	13	2.41	0.095	71.3	2.810	67.0	2.64	74.9	2.952	8012-3-10-18 - 5	M-97-5	50-A-5
	14	2.1	0.083	71.9	2.834	67.0	2.64	74.9	2.952	8012-3-10-18 - 5	M-97-5	50-A-5
	15	1.82	0.072	72.5	2.856	67.0	2.64	74.9	2.952	8012-3-10-18 - 5	M-97-5	50-A-5
	16	1.65	0.065	72.8	2.870	67.0	2.64	74.9	2.952	8012-3-10-18 - 5	M-97-5	50-A-5
	17	1.47	0.058	73.3	2.884	67.0	2.64	74.9	2.952	8012-3-10-18 - 5	M-97-5	50-A-5
18	1.24	0.049	73.7	2.902	67.0	2.64	74.9	2.952	8012-3-10-18 - 5	M-97-5	50-A-5	