

TUBE / PIPE BEVELLING MACHINE FM-8000



FMP-8000 PNEUMATIC



FME-8000 ELECTRIC



FME-8000 ELECTRIC - HD (Heavy Duty)

The FM-8000 is a modular and ergonomic designed machine that develops high torque to suit the toughest working conditions. Suitable for a wide range of tube and pipe internal diameters.

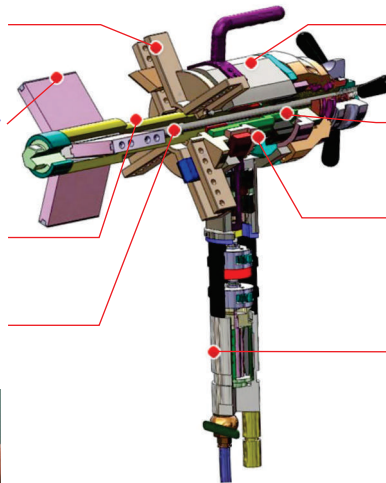
Features of Tube End Facing Machines - FM-8000

TOOL HOLDER - Holds the cutting tool bits tightly at the desired position. Its robust construction and support to the cutting bits ensure vibration free performance.

JAW - Wedge style hardened tool steel mounted jaws for maximum life and secure positioning. Available within the locking range of 49mm to 203mm.

FEED SHAFT - High strength, precise machined and hardened feed shaft provides a strong support to the assembly which slides over it.

CENTRAL MANDREL - Expanding mandrel allows fast, accurate and self-centering alignment with torque-free operation for operator safety.

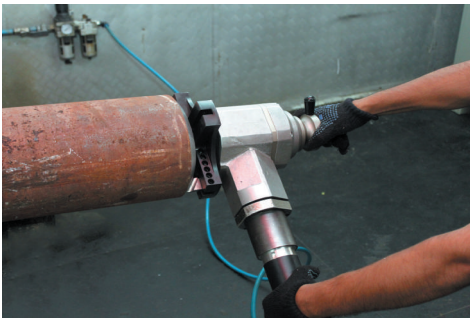


BODY - Light weight, high pressure cast aluminum body allows continuous operation under the harshest conditions.

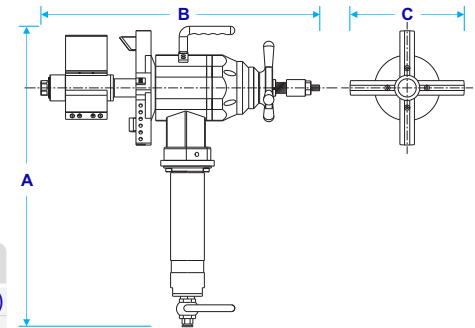
BROACHED BUSH - Through hardened broached bush restricts the angular movement of the machine.

GEAR BOX - Compacting and highly accurately machined for positive power transmission with less noise and no wear and tear.

PNEUMATIC OR ELECTRIC DRIVE - High quality pneumatic or electric drive for reliable service and long working life.



FM-8000 is used for heavy duty applications.



Technical Specification

Drive		Pneumatic	Electric	Electric-HD
Locking Range	mm (inch)	49 – 203 (2" – 8")	49 – 203 (2" – 8")	49 – 203 (2" – 8")
Idal Speed	RPM	52	34	40
Torque	Nm (lbf.ft)	250 (184.40)	264 (194.70)	295 (217.60)
Feeding Stroke	mm (inch)	40.5 (1.9/16")	40.5 (1.9/16")	40 (1.9/16")
Pneumatic Power	HP	1.80	-	-
Air Consumption	cfm	60-65	-	-
Air Pressurer	Bar (psi)	6 (90)	-	-
Electric Power	watts	-	1020	1800
Voltage	V	-	110 / 220 V	110 / 220 V
Net Weight	kg (lb)	21 (46.30)	22 (48.50)	30 (66.10)

	PNEUMATIC (mm)	ELECTRIC (mm)	ELECTRIC-HD (mm)
A	660	568	670
B	480	480	480
C	220	220	220